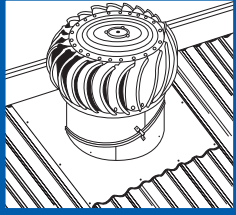


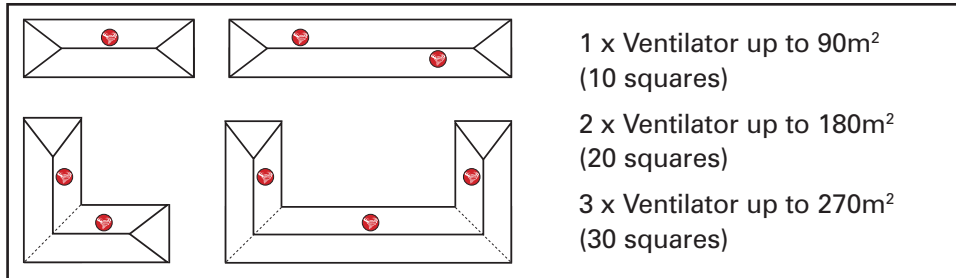
# Installation Guide – Metal Roof



**1**

Select position on roof close to ridge line, and place base flashing with top edge slipped under ridge capping. **See Fig 1.**

Fig 1



**2**

Ensure that base flashing covers the corrugations or ribs equally, then mark the hole using the base as a template. Cut the hole. **See Fig 2.**

**3**

Turn up pans or corrugations of the sheeting around the cut opening. Form the base flashing to suit sheet profile. Larger profiles may require an infill to seal the bottom edge or further flashing. Run a bead of silicone along underside edges of base flashing and under ridge capping.

**4**

Secure flashing to sheeting with self-tapping screws or rivets. These are not included in the kit (approximately 8 – 10 are required). It is recommended that 4 screws are to be used on bottom edge. **See Fig 3.**

**Note:** Fixing strap may not be required for metal roofs.

**For installation further down the roof,** a flat flashing with turned down sides running from the ridge line to the vent location should be installed to prevent leakage.

**5**

Adjust the variable pitch throat to suit the roof pitch – wearing gloves is advised. Use a spirit level to ensure top is level (check both parallel and perpendicular levels). Rotate the top section of the throat and the whole throat section to find a level point. When adjusted correctly fasten variable throat to the base using 3 screws that are provided. Be careful not to over tighten. Next attach straddle bracket to variable throat. **See Fig 4.**

**6**

Silicone the Variable pitch seam from inside the throat section. Do NOT apply silicone to joint between base and throat section – this acts as a natural gutter to release any trapped condensation.

**7**

Position vent top on the throat section by slipping the 3 rotor arms onto the 3 locator points on the edges of the throat section. Fasten the arms through the pre – drilled holes using the screws provided. Be careful not to over tighten screws, this can lead to failure. Slow drill speed is recommended. **See Fig 5.**

**Read the complete installation guide carefully before you start.**

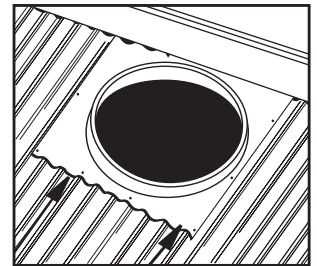


Fig 2

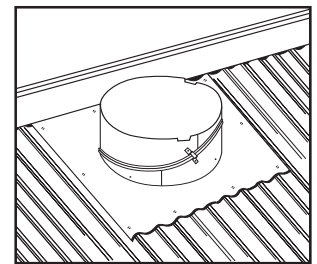


Fig 3

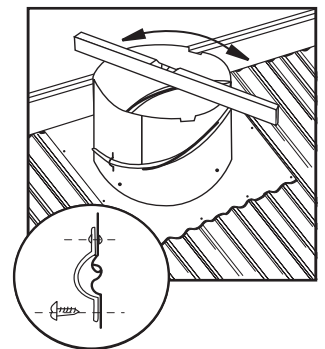


Fig 4

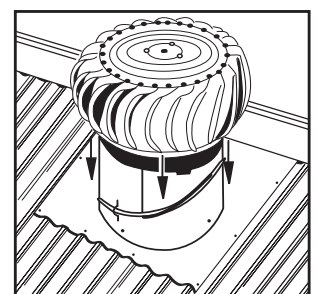


Fig 5